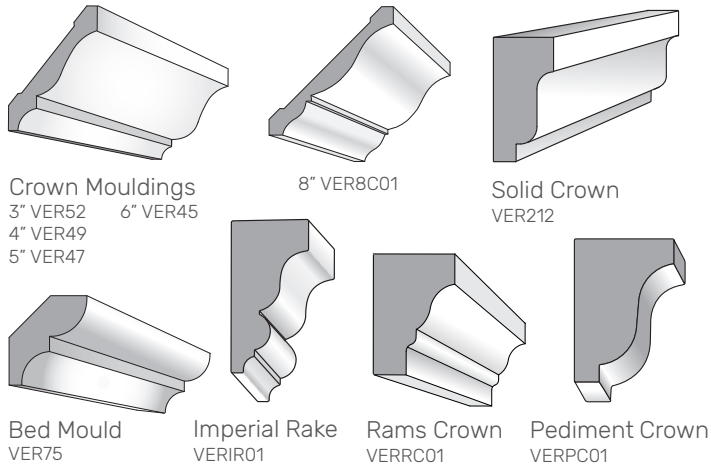


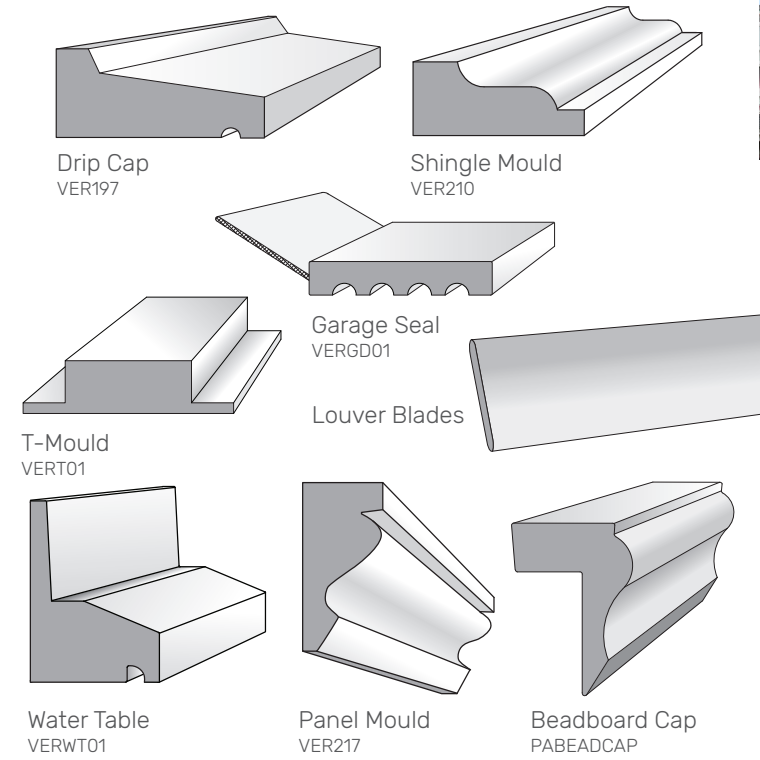
# MOULDINGS

All mouldings sold in 16' lengths except the following: Brick Mould, J-Channel Brick, Water Table, Double Hung Sill and Brick w/ Flange sold at 18' lengths; T-Mould and Pediment Crown sold at 12' lengths.

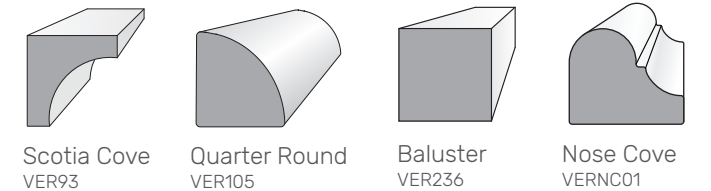
## CROWN PROFILES



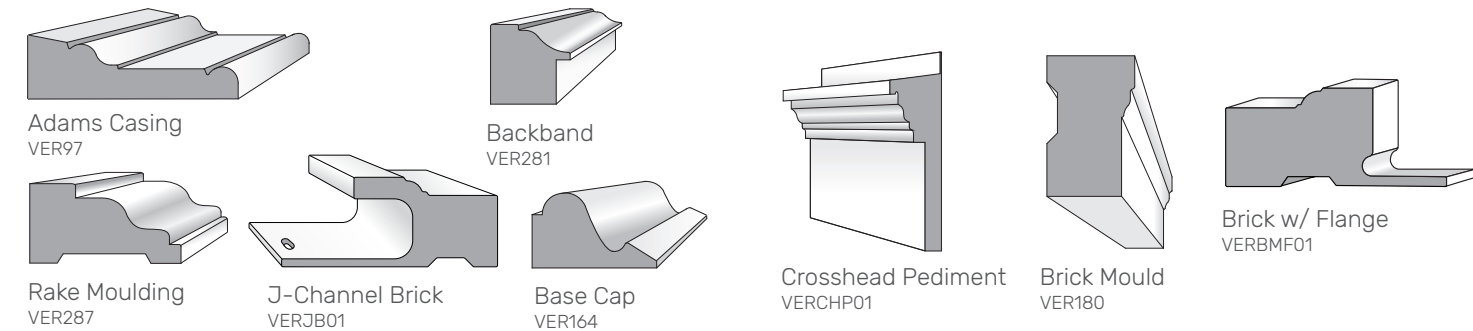
## ADDITIONAL PROFILES



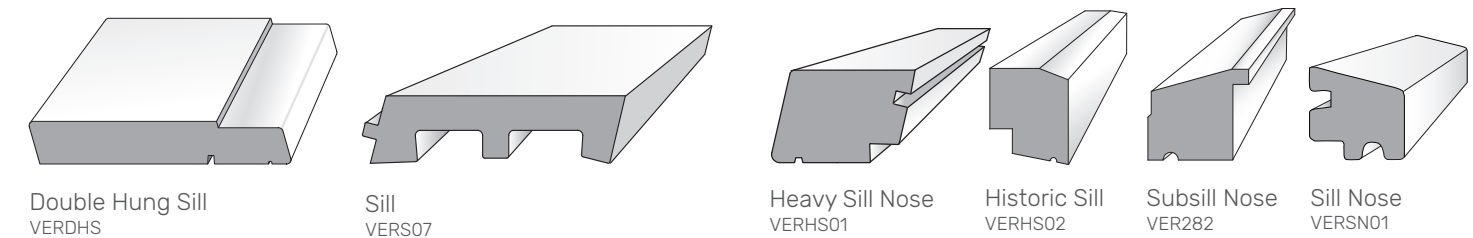
## COVE PROFILES



## CASING PROFILES



## SILL PROFILES



# VERSATEX<sup>®</sup>

## BUILDING PRODUCTS

## ABOUT US

### VERSATEX MAKES TRIM SMARTER

VERSATEX is created from cellular PVC, making it moisture and insect resistant while still featuring the real cedar look and woodworking characteristics a fine builder or craftsman desires. No more warping, cupping, or splitting - just a Trimboard with high aesthetic value backed by a lifetime warranty.

As a company, VERSATEX is a proven leader with an unmatched service platform and best-in-class product quality. Our focus is the cellular PVC trim market, and our strength is our experience and flexibility to continually introduce innovative solutions for builders, contractors and architects. We place a high value on listening to our customers and reacting to their needs.

### WE'RE RIGHT THERE WITH YOU

Download our apps and keep us by your side!

Our **Contractor Handbook App** provides an electronic easy-to-reference version of our Contractor Handbook, as well as links to technical documents, drawings, inspiration, and more.

Our **Premier Builder App** allows builders and contractors to earn points for purchasing VERSATEX products from our stocking dealers. Points can be redeemed for prizes, and lifetime point earnings qualify you for escalating status perks.

Learn more at [versatex.com/premier](http://versatex.com/premier)



Available on the App Store and Google Play™



Apple and the Apple logo are trademarks of Apple Inc., registered in the U.S. and other countries. App Store is a service mark of Apple Inc. and Google Play is a trademark of Google Inc.



A product of  
VERSATEX Building Products, LLC  
400 Steel Street, Allquippa, PA 15001  
724.857.1111 | [versatex.com](http://versatex.com)

AMERICAN OWNED AMERICAN MADE



# TRIMBOARD

Thickness	Width
Nominal	2" 3" 4" 5" 6" 8" 10" 12" 16"
5/8"	••••••••••••••••
1"	••••••••••••••••
5/4"	••••••••••••••••
6/4" (smooth only)	••••••••••••••••
8/4" (smooth only)	••••••••••••••••

- 5/8", 1" and 5/4" available in standard 12', 18' and 20' lengths;
- 6/4" and 8/4" available in standard 18' lengths
- Custom lengths & widths available in "Smartpack" quantities
- Most thicknesses can be ordered reversible - Smooth/Timber Ridge or Smooth/Smooth
- 8/4" Trimboard subject to extended lead times
- Sizes available in **PEELNEAT** with a protective film applied; Check with your local retailer for availability



# SHEET

Thickness	Width and Length
Actual	4x8' 4x10' 4x12' 4x18' 4x20'
1/4"	••••••••••••••••
3/8"	••••••••••••••••
1/2"	••••••••••••••••
5/8"	••••••••••••••••
3/4"	••••••••••~•••••
1"	••••••••••~•••••
1 1/4"	••••••••••~•••••
1 1/2"	••••••••••~•••••

- Custom lengths & widths available in "Smartpack" quantities
- 1 1/2" Sheet subject to extended lead times
- 5' wide Sheets available in ceratin sizes & special quantities
- All sizes except 1/4" thicknesses available in Timber Ridge



# CORNERS

Thickness	Length and Finish				
	Smooth		Timber Ridge		
Nominal	10'	20'	22'	10'	20'
1" x 6"	•				
5/4" x 4"	•	•	•	•	•
5/4" x 6"	•	•	•	•	•
5/4" x 8"	•				

- Custom widths up to 10" wide corners available in "UNIT" quantities
- Special 12' & 22' Corners available in "UNIT" quantities
- 10' and 20' long corners available in "Smartpack" quantities
- Stealth Corners also available, check next panel



# T&G PROFILES

Thickness & Width	Length
Nominal	8' 10' 18'
1/2" x 4" (Regular Beadboard)	•
1/2" x 4" (Stealth Beadboard)	•
1/2" x 6" (Regular Beadboard)	•
1/2" x 6" (Stealth/Piazza Blue Beadboard)	•
1" x 6" (Regular Beadboard)	•
1/2" x 48" (Beaded Sheet)	••
1" x 6" (WP4/Nickel Gap)	•
1" x 6" (Shiplot)	•
1" x 8" (Shiplot)	•

- Special 1" X 4" X 18" Nominal Stealth and Regular Beadboard available in "UNIT" quantities
- End-Matched WP4 available in 16' lengths



# Stealth **VERSATEX** TRIM SYSTEM

## STEALTH WINDOW & DOOR SURROUNDS

Nominal Sizes	Length and Finish	
	Smooth	Timber Ridge
	18'	18'
5/4" x 4"	•	•
5/4" x 6"	•	•
5/4" x 8" (Standard Stealth Only)	•	•

- All sizes available in Standard Stealth, Stealth with Flange Slot, & Trim with Flange Slot except where noted
- Custom lengths & widths available in "Smartpack" quantities



## STEALTH CORNERS

Nominal Sizes	Length and Finish			
	Smooth		Timber Ridge	
	10'	20'	10'	20'
5/4" x 4"	•	•	•	•
5/4" x 6"	•	•	•	•
5/4" x 8"	•			

- Custom widths up to 10" wide corners available in "UNIT" quantities
- Special 12' & 22' long corners available in "UNIT" quantities; 4" and 6" corners at 10' and 20' lengths available in "Smartpack" quantities



## STEALTH SKIRTBOARD

Nominal Sizes	Length and Finish	
	Smooth	Timber Ridge
	18'	18'
1" x 8"	•	•
1" x 10"	•	•
5/4" x 6"	•	•
5/4" x 8"	•	•

- Custom lengths and widths available in "Smartpack" quantities



## STEALTH HIDDEN FASTENER PROFILES

Stealth Casing with J	18'	Stealth HF Corner	20'
1 1/8" x 3 1/2"	•	1 1/8" x 3 1/2" outside	•
1 1/8" x 5 1/2"	•	1 1/8" x 5 1/2" outside	•
		1 1/8" x 1 1/2" inside	•



## Canvas Series BEAUTY OF WOOD. DURABILITY OF PVC.

Profile	Actual Width	Length	
		16'	18'
WP4	3/4" X 5 1/2"		•
Stealth Bead	1/2" X 6"		•
4" Crown	9/16" X 3 5/8"	•	
Bed Mould	9/16" X 1 3/4"	•	

- All profiles available in all seven finishes
- Color-matched touch-up kit to be included from distributor
- Handling guides available at [versatex.com/canvas-series](http://versatex.com/canvas-series)

# SOFFIT SYSTEM

Actual Sizes	Smooth Only	
	Vented	Solid
	18'	18'
1/2" x 12"	•	•
1/2" x 16"	•	•
1/2" x 24"	•	•

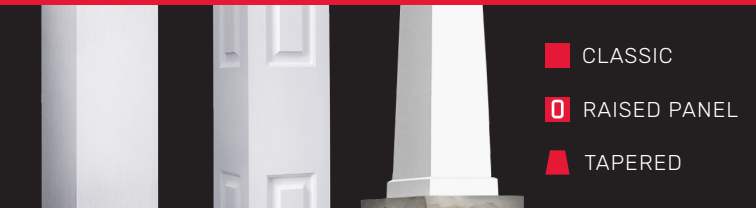
- Custom lengths and widths available in "Smartpack" quantities

## SOFFIT ACCESSORIES

Profile	Nominal Sizes	Length and Finish	
		Smooth	Timber Ridge
		18'	18'
Notched Fascia	1" x 8"	•	•
Frieze	5/4" x 6"	•	•

- Custom lengths and widths available in "Smartpack" quantities

# VERSAWRAP™



Nominal Sizes	Actual Inside Dimension	ACCENT WRAPS		POST CAPS
		10"	10'	SIZES
■ 4" X 4" X 8'6"	3 3/4" X 3 3/4" X 8'6"	•	•	•
■ 4" X 4" X 10'	3 3/4" X 3 3/4" X 10'	•	•	•
■ □ 6" X 6" X 8'6"	5 3/4" X 5 3/4" X 8'6"	•		•
■ □ 6" X 6" X 10'	5 3/4" X 5 3/4" X 10'	•		•
■ □ 8" X 8" X 8'6"	8 1/2" X 8 1/2" X 8'6"	•		
■ □ 8" X 8" X 10'	8 1/2" X 8 1/2" X 10'	•		
■ 12" X 12" X 12'	9 3/4" X 9 3/4" X 12'			

- 4", 6" and 8" wraps made from actual 1/2" thick VERSATEX; Add 1" to inside dimensions to calculate outside measurements. 12" wraps are an actual 3/4" thick.
- Raised panels start 16 1/2" from bottom with railing gap from 30 3/4" to 38 1/2". Clearance above the top panel measures 8 3/4".
- 10" Classic wraps and 6" X 6" X 10" Accent Wraps available (minimum quantities apply)

	Actual Sizes	5'	6'
	FOUR-PIECE TAPERED WRAP	▲ 12" base / 8" cap	•
	▲ 16" base / 12" cap	•	•

- Includes skirt and squaring corners (see below).

## MOULDING ACCESSORIES

### ■ □ MOULDING KITS

Bed Moulding Kit	CROWN KIT (4" Crown Mould)
Crown Moulding Kit	VERSAWRAP
Base Cap Moulding Kit	BASE CAP KIT
XL for around Accent Wrap	ACCENT WRAP
Bed Moulding Kit XL	BED XL KIT
Crown Moulding Kit XL	

### ▲ TAPERED

- Fastening angles and 3 1/2" accent wrap pieces are included with each Tapered column wrap for the cap and base to fasten and accessorize for a craftsman aesthetic.

